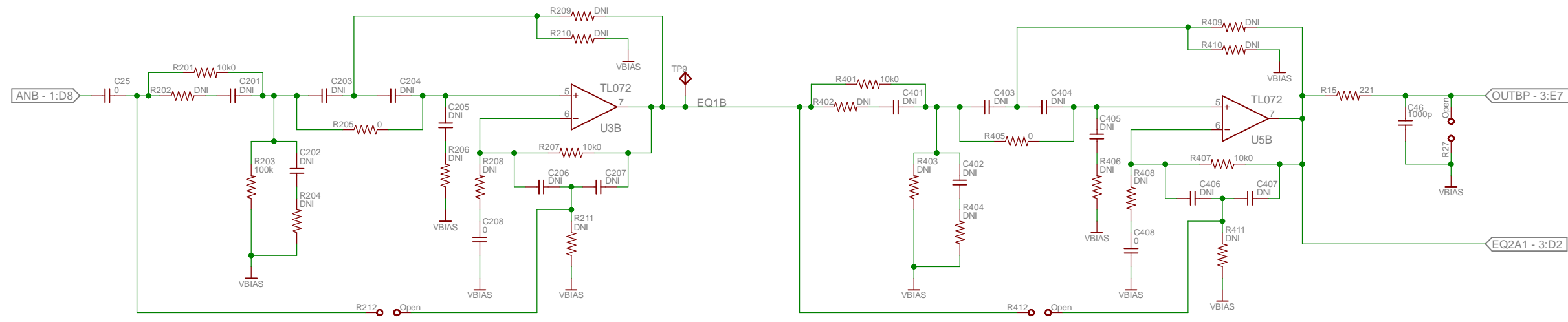
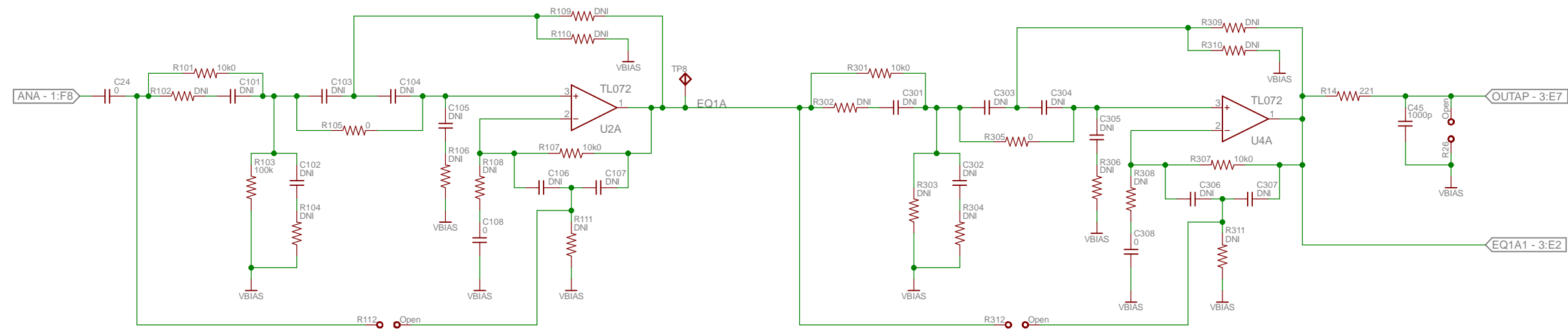
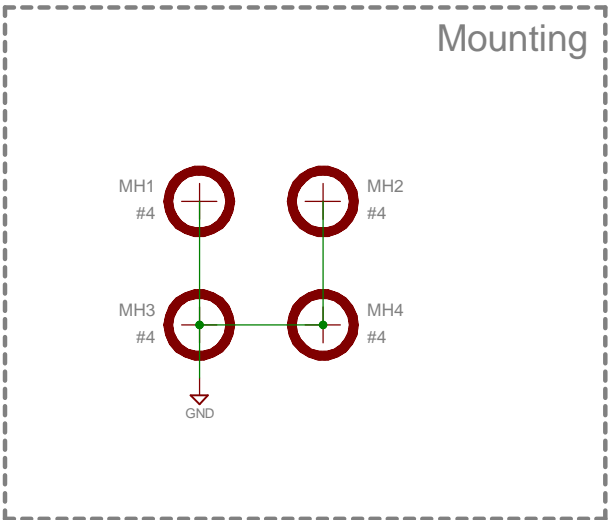
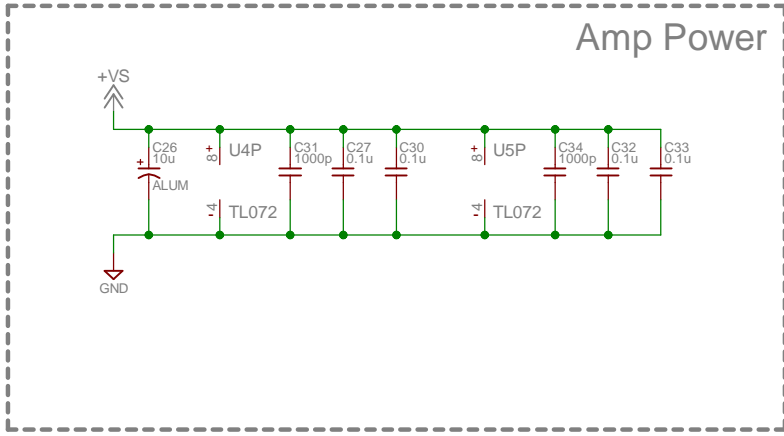
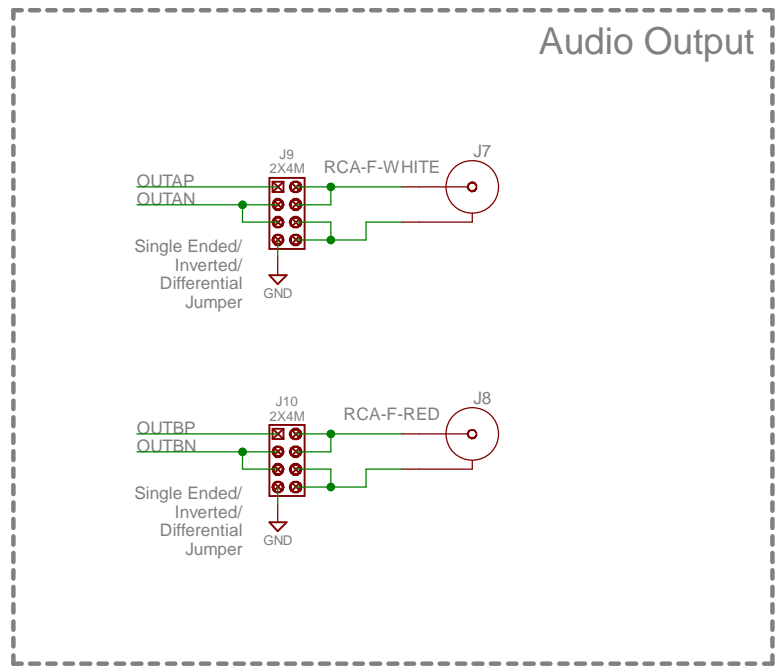
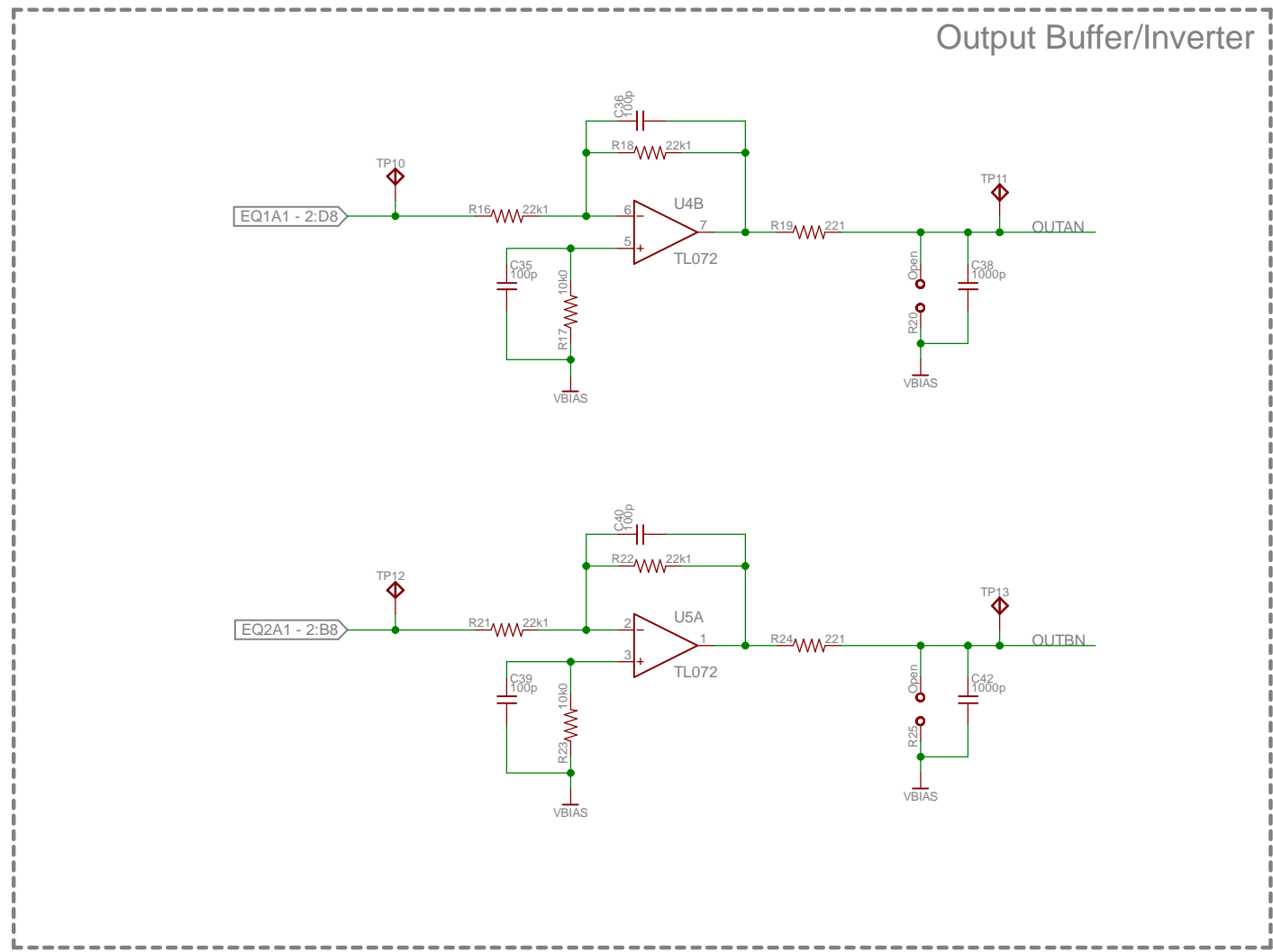


	Project: AudioEQ	
	Title: Input	
Date: 6/23/2015 12:35:23 AM File: AudioEQ	Number: SM003-1015	Rev: 3
	Sheet: 1/3	Size: B
		Author: DCH

NOTE:
Capacitors with value of 0
are 0 Ohm resistors



	Project: AudioEQ	
	Title: EQ:	
Date: 6/23/2015 12:35:23 AM	Number: SM003-1015	Rev: 3
File: AudioEQ	Sheet: 2/3	Size: B
		Author: DCH



Released under the Creative Commons Attribution Share-Alike 3.0 License
<http://creativecommons.org/licenses/by-sa/3.0>
 Design by: Simple Media Networks, Inc

	Project: AudioEQ		Rev: 3
	Title: Output		
Number: SM003-1015		Author: DCH	
Date: 6/23/2015 12:35:23 AM	Sheet: 3/3	Size: B	File: AudioEQ