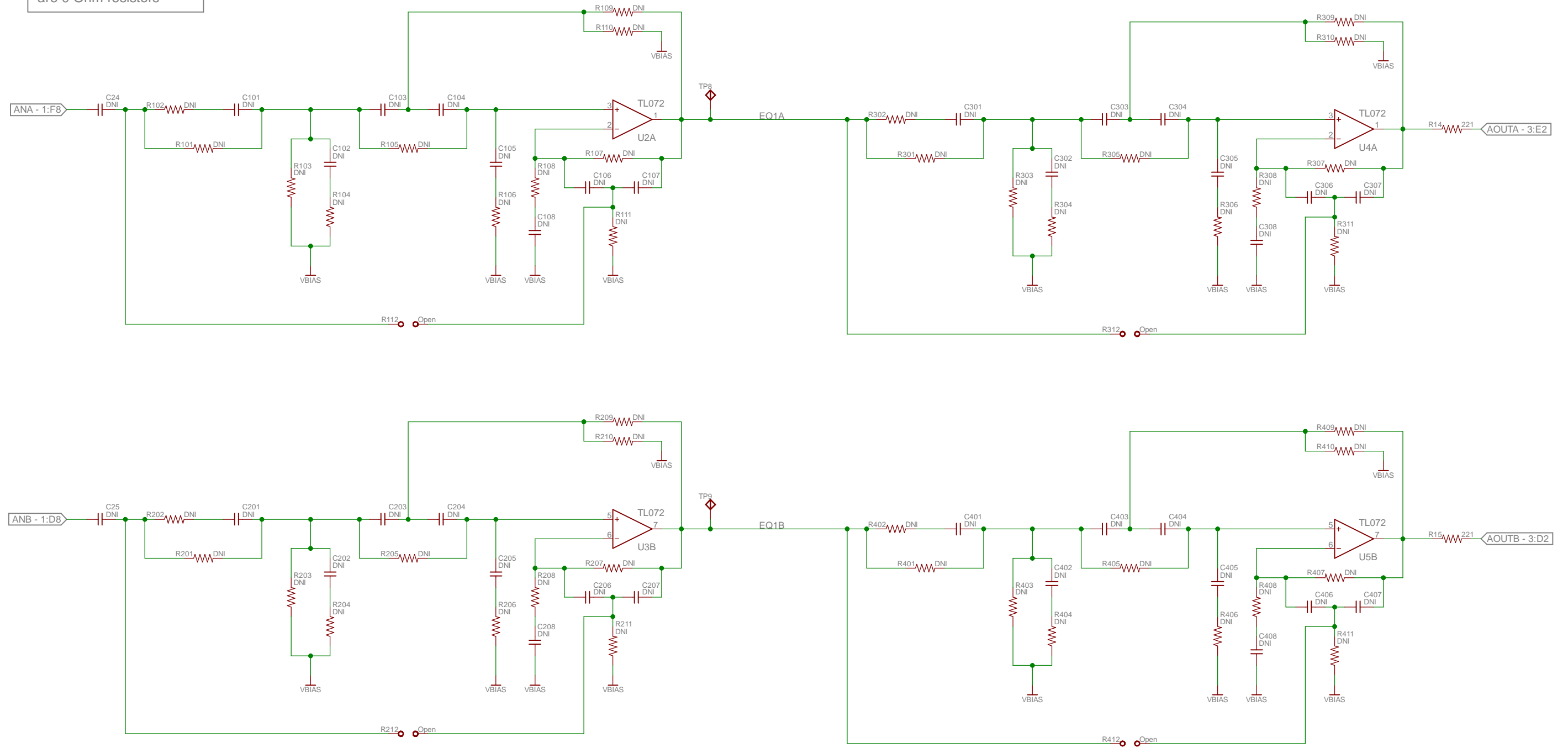


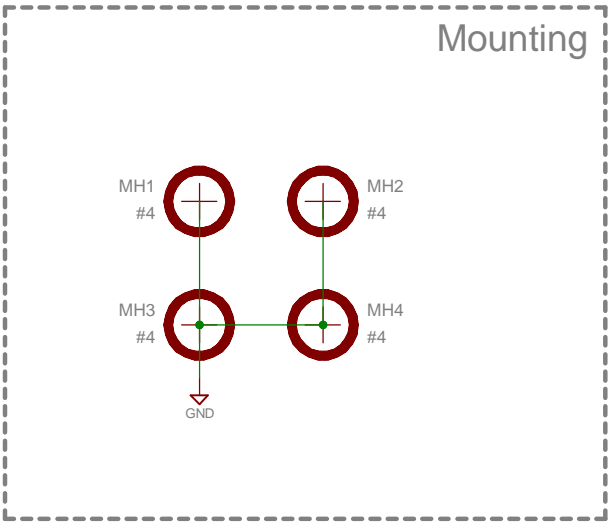
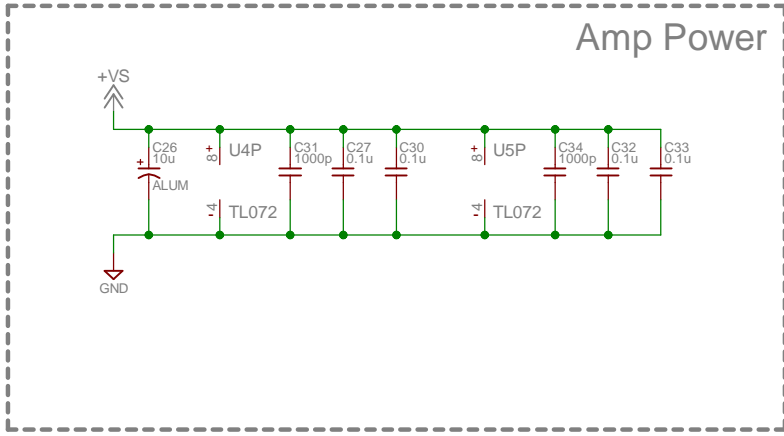
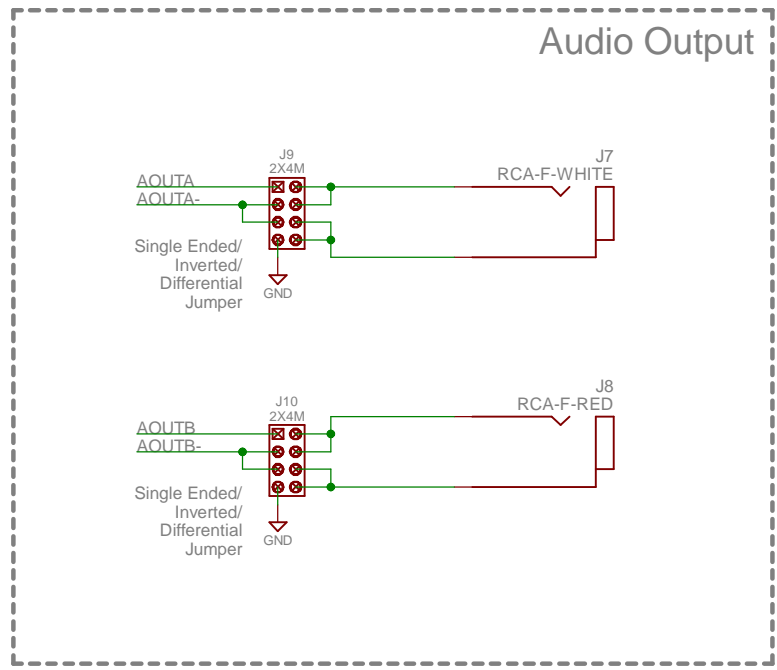
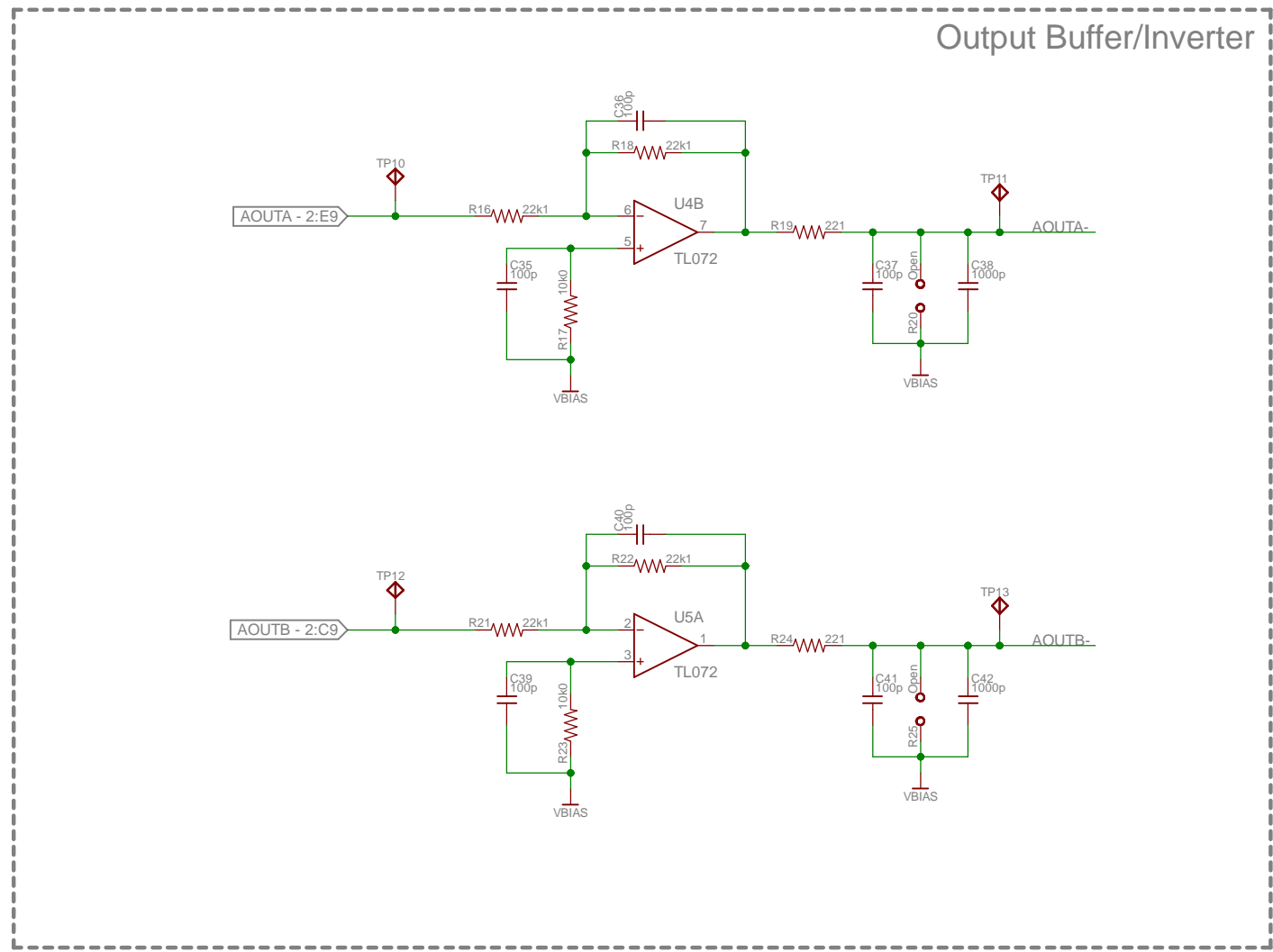
	Project: AudioEQ	
	Title: Input	
Date: 6/23/2015 12:01:50 AM	Number: SM003-1015	Rev: 2
File: AudioEQ-Rev2	Sheet: 1/3	Author: DCH

EQ Variant:
Unpopulated

NOTE:
Capacitors with value of 0
are 0 Ohm resistors



	Project: AudioEQ	
	Title: EQ: Unpopulated	
Number: SM003-1015	Rev: 2	
Date: 6/23/2015 12:01:50 AM	Sheet: 2/3	Size: B
File: AudioEQ-Rev2	Author: DCH	



Released under the Creative Commons Attribution Share-Alike 3.0 License
<http://creativecommons.org/licenses/by-sa/3.0>
 Design by: Simple Media Networks, Inc

	Project: AudioEQ	
	Title: Output	
Number: SM003-1015	Rev: 2	
	Date: 6/23/2015 12:01:50 AM	Sheet: 3/3
File: AudioEQ-Rev2	Author: DCH	